

**NACHI**

NACHI EUROPE GmbH

**OUR SYNERGY  
YOUR PERFORMANCE**

# PZH-SERIES AXIAL PISTON PUMP

CELEBRATE THE POLE POSITION



**LOW  
NOISE LEVEL  
70dB(A)**

Low noise level: 70dB (A)  
at full cut-off at 350bar

## PZH-SERIES

### Axial Piston Pump for High-Pressure Application



#### Interfaces:

- ▶ Flange: SAE and ISO on board
- ▶ Key shaft, metric key shaft

#### Pressure & Flow:

- ▶  $P_{max}$ : 350bar
- ▶  $P_{peak}$ : 400bar
- ▶ Q: 45cm<sup>3</sup>/rev. and 72cm<sup>3</sup>/rev

#### Benefits:

- ▶ Low noise level: 70dB(A) at full cut-off at 350bar
- ▶ Energy-saving by use of highly-efficient spherical valve plate
- ▶ Very long lifetime with high load resistant Nachi-Bearings
- ▶ Different pressure compensator available

#### Features:

- ▶ Spherical valve plate with self-aligning function has minimised the leakage at high pressure
- ▶ Improved mechanical efficiency by reduced friction losses at high pressure
- ▶ Large port diameter for less internal pressure drop

#### Application Examples

##### FORGING MACHINES



##### INJECTION MOLDING



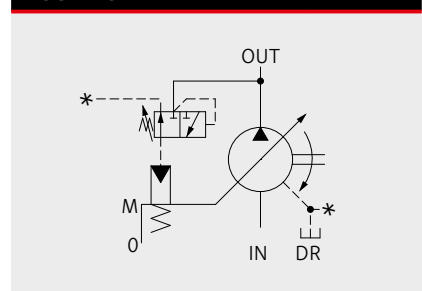
##### TESTBENCH



#### PUMP SPECIFICATION

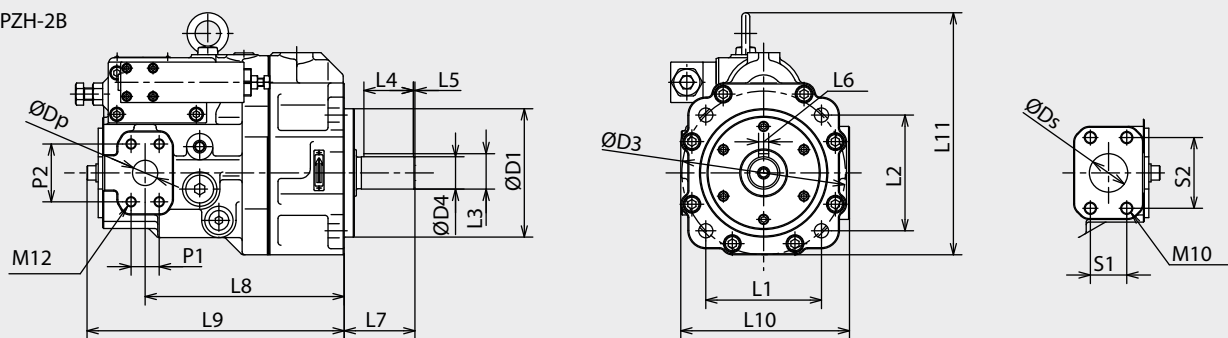
Model	Volume (cm <sup>3</sup> /rev)	Pressure (bar)		Pressure adjustment range (bar)	Speed (rpm)		Weight (approx.) kg
		Nominal	Maximum		Min.	Max.	
PZH-3B-72N5-10	72	350	400	20-350	500	2000	42
PZH-2B-45N5-10	45	350	400	20-350	500	2000	30

#### JIS SYMBOL



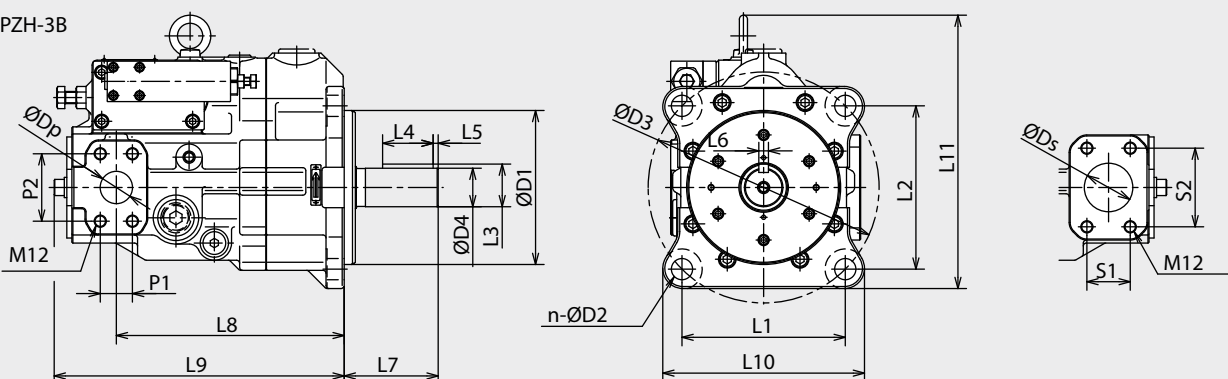
## INSTALLATION DRAWING PZH

PZH-2B



PZH-2B	D1	D3	D4	L1/L2	L3	L4	L6	L7	L9	L10	L11	S1	S2	P1	P2
ISO	125	160	32	113.2/113.2	35	49	10	68	254	177	244	35.7	69.9	27.8	57.2
SAE	127	161.9	31.8	114.5/114.5	35.3	48	7.94	68	254	177	244	35.7	69.9	27.8	57.2

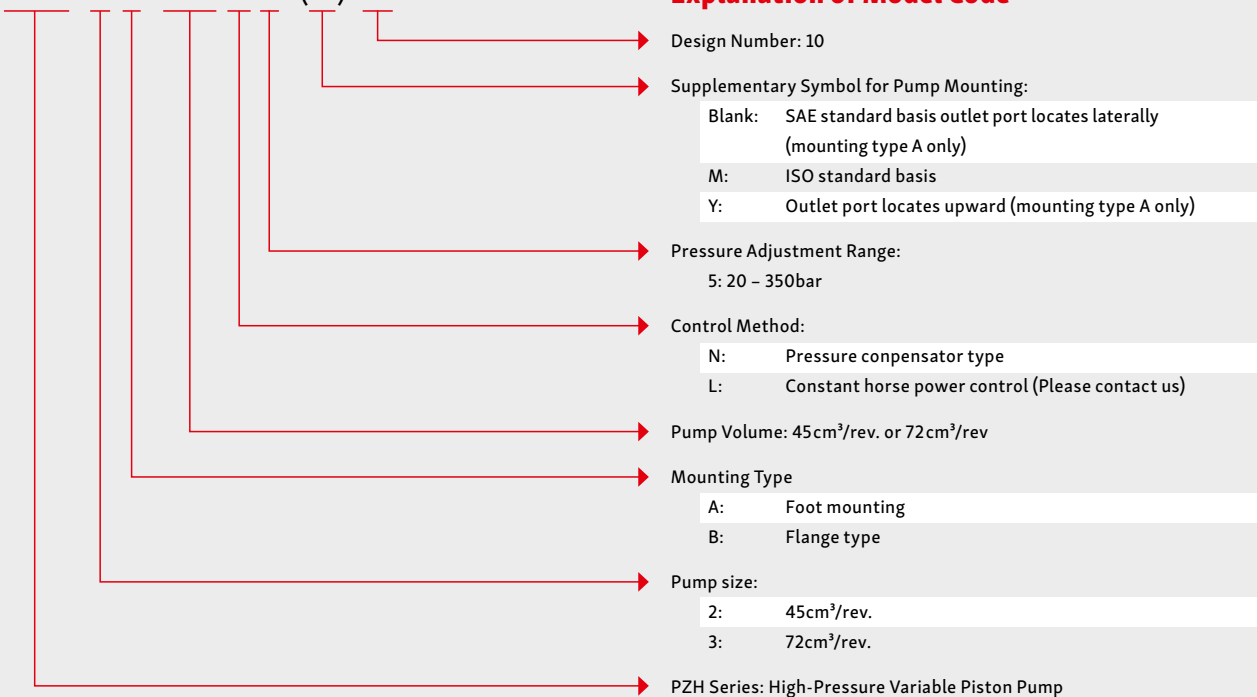
PZH-3B



PZH-3B	D1	D3	D4	L1/L2	L3	L4	L6	L7	L9	L10	L11	S1	S2	P1	P2
ISO	160	200	40	141.4/141.4	43	55	12	93	287	200	270.5	42.9	77.8	31.8	66.7
SAE	152.4	228.5	38.1	161.1/161.1	42.2	55	9.53	93	287	200	270.5	42.9	77.8	31.8	66.7

PZH - □ B - □ □ □ 5 - (□) -10

### Explanation of Model Code



# NACHI

NACHI EUROPE GmbH

**OUR SYNERGY  
YOUR PERFORMANCE**



**MADE IN JAPAN**

**NACHI-FUJIKOSHI CORP.**

**TOKYO**

Shiodome Sumitomo Bldg., 1-9-2 Nigashi-shinbashi, Minato-ku Tokyo, JAPAN  
Phone: +81 3 5568-5240 | Fax: +81 3 5568-5236

**TOYAMA**

1-1-1 Fujikoshi-Honmachi, Toyama, JAPAN  
Phone: +81 76 423-5111 | Fax: +81 76 493-5211

Web: [www.nachi-fujikoshi.co.jp/](http://www.nachi-fujikoshi.co.jp/)

**NACHI EUROPE GmbH**

Bischofstr. 99 | DE-47809 Krefeld, Germany | Phone: +49 2151 650 46-0 | Fax: +49 2151 650 46-90 | Web: [www.nachi.de](http://www.nachi.de) | Email: [info@nachi.de](mailto:info@nachi.de)